



**GiANT**<sup>®</sup>  
BY TOBROCO



COMPACT DESIGN  
BIG IN PERFORMANCE

# GT5048

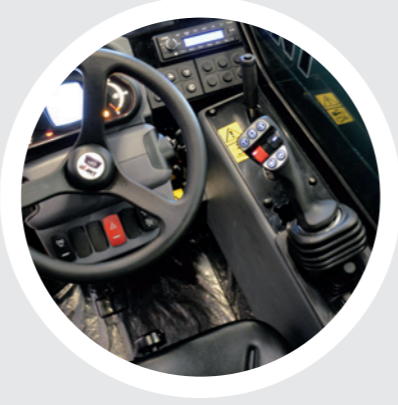
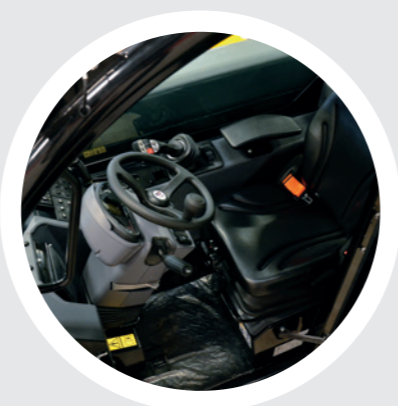


[WWW.TOBROCO-GIANT.COM](http://WWW.TOBROCO-GIANT.COM)

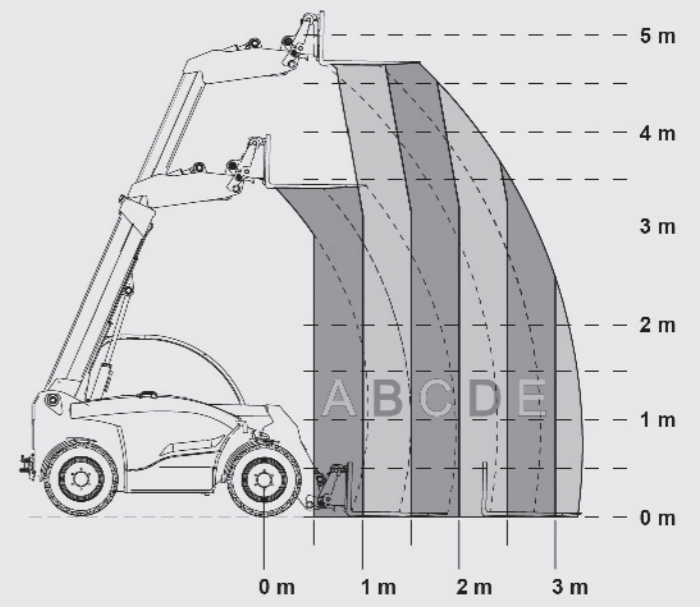
TECHNICAL DATA	
<b>TYPE</b>	<b>GT5048</b>
Service weight <sup>1</sup>	2.950 kg
Tipping load <sup>2</sup>	585 kg - 2.490 kg
<b>DIMENSIONS AND SPEED</b>	
Lifting height <sup>2</sup>	4.800 mm
Length without bucket	3.135 mm
Machine height <sup>3</sup>	1.970 mm
Width on standard tyres	1.600 mm
Standard tyres	10.00/75-15.3 AS
Travel speed	0-10 km/h 0-25 km/h (with automatic gear)
<b>ENGINE</b>	<b>Kubota D1803 CR (STAGE V) + DOC and DPF</b>
Cylinders	3
Engine power	50 HP / 36 kW
Type	Diesel
Fuel tank capacity	38 L
Oil capacity	75 L
<b>POWERTRAIN</b>	
Type	Hydrostatic four wheel drive
Transmission	Automotive control
Differential	Four-wheel steering
Final drive	8 tons axles, heavy planetary end drive
Pulling force	22.600 N
Driving hydraulics	84 l/min (450 bar)
Working hydraulics	51 l/min (230 bar)
Parking brake	Disk brakes

STANDARD MACHINE FEATURES	
<b>TYPE</b>	<b>GT5048</b>
GIANT Standard quick change system with hydraulic locking	Std
Double acting valve at the front (mechanical)	Std
ROPS / FOPS safety roof, incl. front and right window and frontwiper	Std
Luxury seat with safetybelt, armrest and extended backrest	Std
Battery, 77 Ah	Std
Proportional Load Moment Protection (EN 15000)	Std
Transportlock	Std
Working light (halogen) front, on lifting arm	Std
Hose rupture protection	Std
Anti-theft protection with access code (not certified)	Std
Main switch	Std
Cyclone filter	Std
Oil cooler	Std
Towing hook	Std

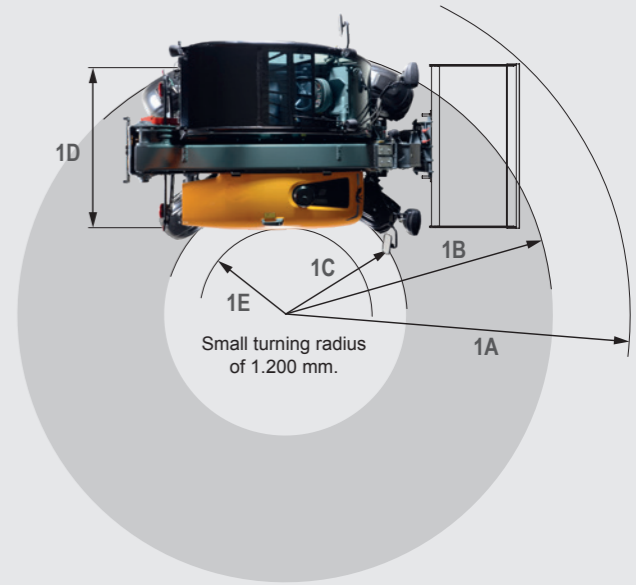
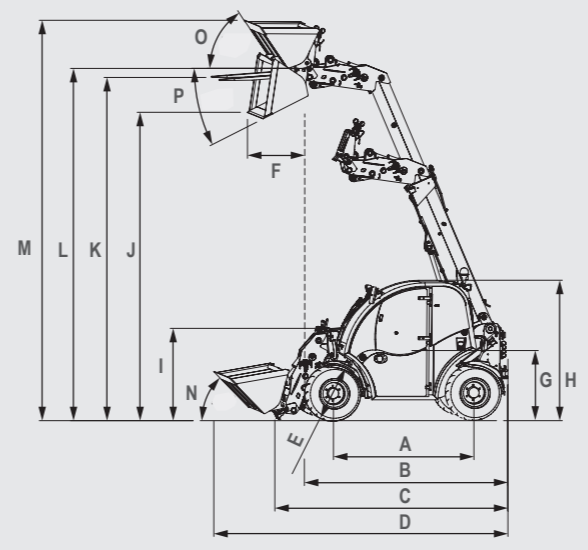
1 Measured with earthbucket  
 2 Measured with hinge point in straight position on standard tyres  
 3 Measured on standard tyres with safety roof



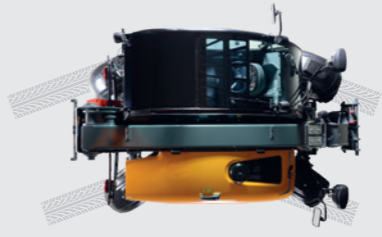
MEASUREMENTS		
	Unit	GT5048
<b>A</b> Wheelbase	mm	1.950
<b>B</b> Total length till hitch	mm	2.750
<b>C</b> Total length (without bucket)	mm	3.135
<b>D</b> Total length (with bucket)	mm	3.850
<b>E</b> Diameter standard tire	ø mm	780
<b>F</b> Operating distance for J	mm	550
<b>G</b> Seat top height	mm	950
<b>H</b> Max. height with cabin	mm	1.970
<b>I</b> Height frontframe	mm	1.270
<b>J</b> Dumping height	mm	4.100
<b>K</b> Stacking height	mm	4.700
<b>L</b> Max. height pivot	mm	4.800
<b>M</b> Max. height with bucket	mm	5.500
<b>N</b> Rollback angle (on the ground)	°	45
<b>O</b> Rollback angle at max. lifting height	°	51
<b>P</b> Dumping angle (max.)	°	33
<b>1A</b> Maximum radius with bucket	mm	3.400
<b>1B</b> Radius at the outer edge	mm	2.700
<b>1C</b> Turning radius	mm	1.200
<b>1D</b> Min. machine width	mm	1.600
<b>1E</b> Inside turning radius	mm	900



TIPPING LOADS					
Standard version	A	B	C	D	E
Tipping load	2.490 kg	1.670 kg	1.255 kg	700 kg	585 kg
With counter weight (optional)	A	B	C	D	E
Tipping load	2.870 kg	1.925 kg	1.445 kg	855 kg	710 kg



**Two-wheel steering**  
 Drive steady and steer accurately.



**Four-wheel steering**  
 Highly maneuverable in smaller areas due to the small turning radius.



**Crab steer**  
 Drive with extreme precision and increase your maneuvering options.





GT5048



TOBROCO-GIANT has been manufacturing quality GIANT machines and attachments since 1996 when we opened our first factory in the Netherlands. Today, TOBROCO-GIANT offers one of the broadest product portfolios in the business with 30 different models in 50 countries.

TOBROCO-GIANT supplies machines from 750 kg until 5.300 kg with engines from 20 hp till 76 hp for the worldwide machine market. Which machine will you choose?



SK212G  
SK202D  
SK252D



D204SW  
D254SW



D204SW TELE  
D254SW TELE



G1500  
G1500 X-TRA



G2200 (X-TRA)  
G2200 HD (X-TRA)  
G2200 HD+ (X-TRA)



G2200E  
G2200E X-TRA



G2500 HD  
G2500 X-TRA HD



G2700 HD (X-TRA)  
G2700 HD+ (X-TRA)



G3500  
G3500 X-TRA  
G3500 TELE



G5000  
G5000 X-TRA  
G5000 TELE



Stage V



Electric



**GIANT**  
BY TOBROCO

**TOBROCO-GIANT**

Industrielaan 2  
5061 KC Oisterwijk (The Netherlands)  
Tel +31 (0)13-5211212  
Fax: +31 (0)13-5234045  
Internet: [www.tobroco-giant.com](http://www.tobroco-giant.com)  
E-Mail: [info@tobroco-giant.com](mailto:info@tobroco-giant.com)

All technical data in this brochure refer to under Central European operating conditions tested series models and describe the standard functions. Specifications and their modes of operation, as well as accessories, depend on the model and the options of the product, as well as country-specific regulations in the country of sale. Images may show non-listed or non-standard available products. The descriptions, illustrations, weights and technical data are not binding and are in accordance with the state of the art at the time of going to press. Changes in the design, equipment, optics and technology are due to the continuous development of its products without prior notice. Do you need special functions which are only available through the use of additional components and / or under special circumstances, please contact us! We will be happy to answer your questions and let you know whether and under what conditions regarding the product and the environmental conditions special functions are realizable. When doubts about the capacity or the performance of our products under special circumstances, we recommend to perform under controlled conditions. Testing activities despite the utmost care, we cannot rule out deviations from illustrations or dimensions, calculation errors, misprints or omissions in this brochure. We therefore accept no liability for the correctness and completeness of the information contained in this brochure. As part of our General Terms and Conditions, we guarantee the proper functioning of our products. Furthermore Linear guarantees we provide in principle. A further liability than outlined in our Terms and Conditions is excluded.

